



722500

{with felt seals}

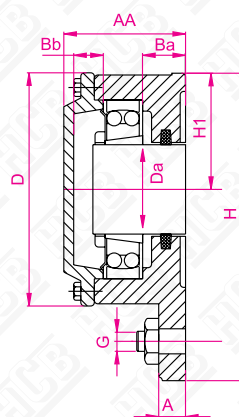
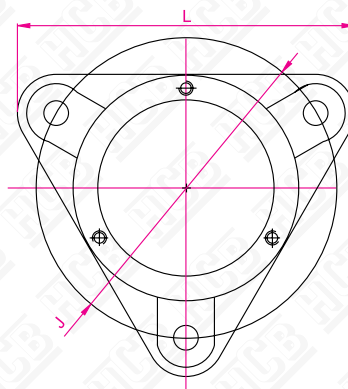
FNH500

{with double-lip seals}

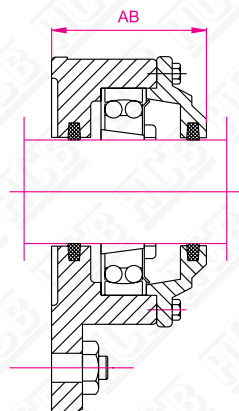


Housing	Breaking loads		
Size	P ₀	P ₆₀	P ₁₈₀
	KN	KN	KN
722505	50	40	80
722506	60	45	85
722507	70	50	90
722508	80	55	95
722509	90	60	100
722510	100	65	105
722511	110	80	110
722512	120	95	115
722513	130	110	190
722515	140	125	265
722516	150	140	340
722517	160	155	415
722518	170	170	490
722520	180	185	565
722522	190	200	640

SHAFT Da	HOUSING FOR SHAFT END	HOUSING FOR THROUGH SHAFT	BEARING	LOCATING RING	SEALS
20	722505 A	722505 B	1205 K	FRB 5/52	FS 110
			2205 K	-	
25	722506 A	722506 B	1206 K	FRB 6/62	FS 190
			2206 K	-	
30	722507 A	722507 B	1207 K	FRB 8/72	FS 190
			2207 K	-	
			22207 K	-	
35	722508 A	722508 B	1208 K	FRB 7/80	FS 190
			2208 K	-	
			22208 K	-	
40	722509 A	722509 B	1209 K	FRB 6/85	FS 190
			2209 K	-	
			22209 K	-	
45	722510 A	722510 B	1210 K	FRB 5/90	FS 190
			2210 K	-	
			22210 K	-	
50	722511 A	722511 B	1211 K	FRB 6/100	FS 260
			2211 K	-	
			22211 K	-	
55	722512 A	722512 B	1212 K	FRB 8/110	FS 260
			2212 K	-	
			22212 K	-	
60	722513 A	722513 B	1213 K	FRB 10/120	FS 260
			2213 K	FRB 2/120	
			22213 K	FRB 2/120	



722500DA



722500DB

722500

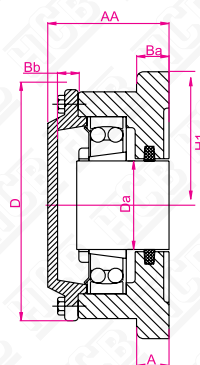
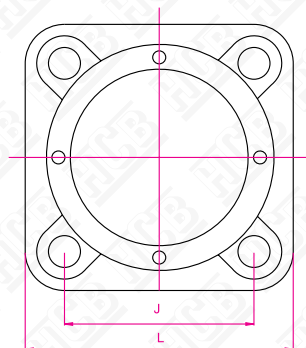


HOUSING	DIMENSIONS										
	L	J	H	H ₁	AA	AB	a	ba	bb	D	Kg
722505	110	96	100	38	51.5	56.5	10	15	12.5	75	1,3
722506	130	116	117	44	57	59.5	12	16	15	86	1,7
722507	140	130	130	48.5	59.5	63.5	12	16	14.5	97	2
722508	160	140	143	54	64	65.5	12	17	18	108	2,3
722509	180	160	160	60	64.5	69.5	12	19	16.5	113	3,3
722510	180	160	160	60	68.5	73	15	22	17.5	118	3,3
722511	192	170	172	65	75.5	81.5	15	24	19.5	128	4,5
722512	210	180	189	72	77	82	15	23	19	142	5,4
722513	225	190	203	78	80	86	15	22	20	152	6,1

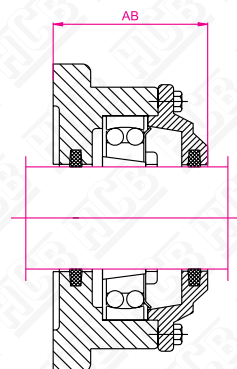


722500

SHAFT Da	HOUSING FOR SHAFT END	HOUSING FOR THROUGH SHAFT	BEARING	LOCATING RING	SEALS
65	722515 A	722515 B	1215 K	2frb 8/130	FS 260
			2215 K	1frb 10/130	
			22215 K	1frb 10/130	
70	722516 A	722516 B	1216 K	2frb 8.5/140	FS 330
			2216 K	1frb 10/140	
			22216 K	1frb 10/140	
75	722517 A	722517 B	1217 K	2frb 9/150	FS 330
			2217 K	1frb 10/150	
			22217 K	1frb 10/150	
80	722518 A	722518 B	1218 K	2frb 10/160	FS 330
			2218 K	1frb 10/160	
			22218 K	1frb 10/160	
90	722520 A	722520 B	1220 K	1frb 10/180	FS 370
				1frb 12/180	
			2220 K	1frb 10/180	
			22220 K	1frb 10/180	
100	722522 A	722522 B	1222 K	2frb 12.5/200	FS 460
			2222 K	1frb 10/200	
			22222 K	1frb 10/200	



722500DA



722500DB

722500

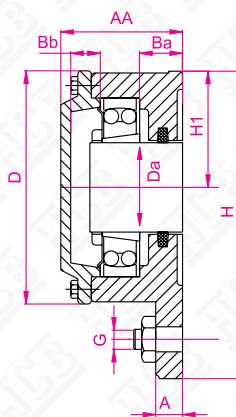
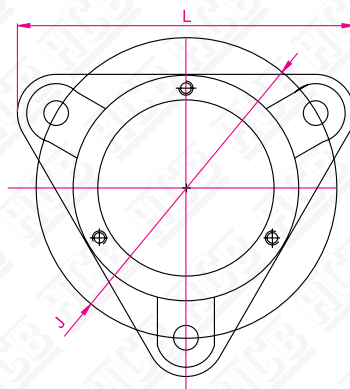


HOUSING	DIMENSIONS									
	L	J	H ₁	AA	AB	a	ba	bb	D	Kg
722515	190	152	95	104	104	25	30	27	168	9,9
722516	196	152	98	110	110	25	31	30	176	10,3
722517	210	170	105	114	114	25	31	30	188	12,3
722518	210	170	105	118	118	25	30	31	198	13,2
722520	250	198	125	127	127	30	30	33	224	19,6
722522	270	219	135	137	137	30	30	38	246	23

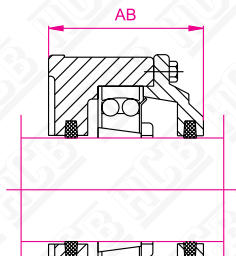


FNH 500

SHAFT Da	HOUSING FOR SHAFT END	HOUSING FOR THROUGH SHAFT	BEARING	LOCATING RING	LIP SEALS
20	FNH505 A	FNH505 B	1205 K	FRB 5/52	FN505
			2205 K	-	
25	FNH506 A	FNH506 B	1206 K	FRB 6/62	FN506
			2206 K	-	
30	FNH507 A	FNH507 B	1207 K	FRB 8/72	FN507
			2207 K	-	
			22207 K	-	
35	FNH508 A	FNH508 B	1208 K	FRB 7/80	FN508
			2208 K	-	
			22208 K	-	
40	FNH509 A	FNH509 B	1209 K	FRB 6/85	FN509
			2209 K	-	
			22209 K	-	
45	FNH510 A	FNH510 B	1210 K	FRB 5/90	FN510
			2210 K	-	
			22210 K	-	
50	FNH511 A	FNH511 B	1211 K	FRB 6/100	FN511
			2211 K	-	
			22211 K	-	
55	FNH512 A	FNH512 B	1212 K	FRB 8/110	FN512
			2212 K	-	
			22212 K	-	
60	FNH513 A	FNH513 B	1213 K	FRB 10/120	FN513
			2213 K	FRB 2/120	
			22213 K	FRB 2/120	



FNH500DA



FNH500DB

FNH 500

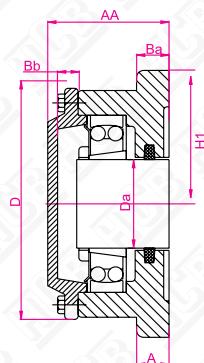
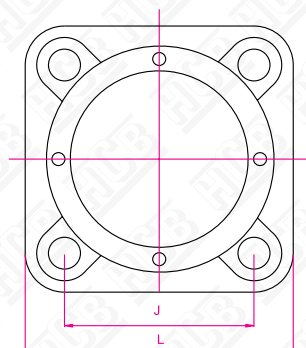


HOUSING	DIMENSIONS										
	L	J	H	H ₁	AA	AB	a	ba	bb	D	Kg
FNH505	110	96	100	38	51.5	56.5	10	15	12.5	75	1,3
FNH506	130	116	117	44	57	59.5	12	16	15	86	1,7
FNH507	140	130	130	48.5	59.5	63.5	12	16	14.5	97	2
FNH508	160	140	143	54	64	65.5	12	17	18	108	2,3
FNH509	180	160	160	60	64.5	69.5	12	19	16.5	113	3,3
FNH510	180	160	160	60	68.5	73	15	22	17.5	118	3,3
FNH511	192	170	172	65	75.5	81.5	15	24	19.5	128	4,5
FNH512	210	180	189	72	77	82	15	23	19	142	5,4
FNH513	225	190	203	78	80	86	15	22	20	152	6,1

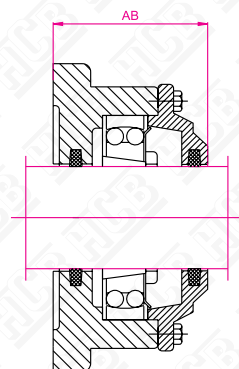


FNH 500

SHAFT Da	HOUSING FOR SHAFT END	HOUSING FOR THROUGH SHAFT	BEARING	LOCATING RING	LIP SEALS
70	FNH516 A	FNH516 B	1216 K 2216 K 22216 K	2frb 8.5/140 1frb 10/140 1frb 10/140	FN 516
75	FNH517 A	FNH517 B	1217 K 2217 K 22217 K	2frb 9/150 1frb 10/150 1frb 10/150	FN 517
80	FNH518 A	FNH518 B	1218 K 2218 K 22218 K	2frb 10/160 1frb 10/160 1frb 10/160	FN 518
90	FNH520 A	FNH520 B	1220 K 2220 K 22220 K	1frb 10/180 1frb 12/180 1frb 10/180	FN 520
100	FNH522 A	FNH522 B	1222 K 2222 K 22222 K	2frb 12.5/200 1frb 10/200 1frb 10/200	FN 522



FNH500DA



FNH500DB

FNH 500



HOUSING	DIMENSIONS									
	L	J	H ₁	AA	AB	a	ba	bb	D	Kg
FNH515	190	152	95	104	104	25	30	27	168	9,9
FNH516	196	152	98	110	110	25	31	30	176	10,3
FNH517	210	170	105	114	114	25	31	30	188	12,3
FNH518	210	170	105	118	118	25	30	31	198	13,2
FNH520	250	198	125	127	127	30	30	33	224	19,6
FNH522	270	219	135	137	137	30	30	38	246	23